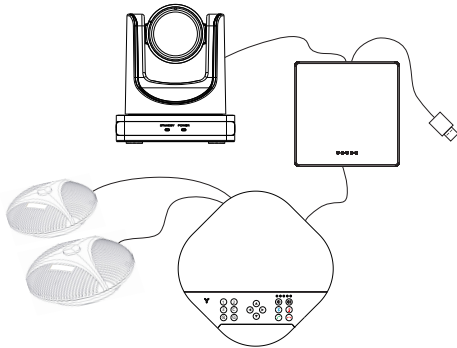




Video Conferencing Kit AVS200

Quick Guide



www.IQBoard.net
IQBoard@IQBoard.net

Attentions

How to Use

To prevent damage to this product or any product connected to it, this product can only be used within the specified range.

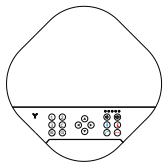
- Do not expose the product to rain or moisture.
- To prevent the risk of electric shock, do not open the case. Installation and maintenance should only be carried out by qualified technicians.
- Do not use the product beyond the specified temperature, humidity or power supply specifications.
- Wipe it with a soft, dry cloth when cleaning the camera lens. Wipe it gently with a mild detergent if needed. Do not use strong or corrosive detergents to avoid scratching the lens and affecting the image.

Install with Caution

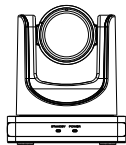
- Do not rotate the camera head violently, otherwise it may cause mechanical failure.
- This product should be placed on a stable desktop or other horizontal surface. Do not install the product obliquely, otherwise it may display inclined image.
- Housing of this product is made of organic materials. Do not expose it to any liquid, gas or solids which may corrode the shell.
- Ensure there are no obstacles within rotation range of the holder.
- Do not power on before completing installation.

Packing List

1. Speakerphone



2. Camera



3. Hub



4. Remote Control



5.5m DIN6 Cable * 2 pcs



6.3m USB cable *1 pcs

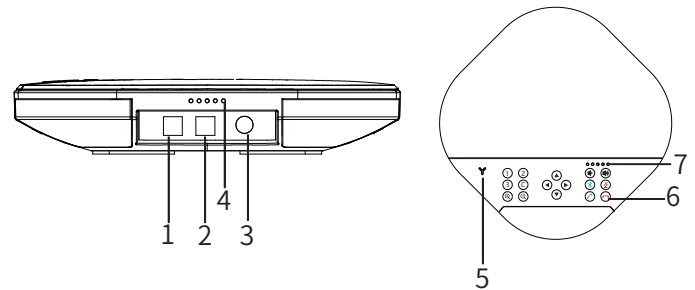


7. Power supply



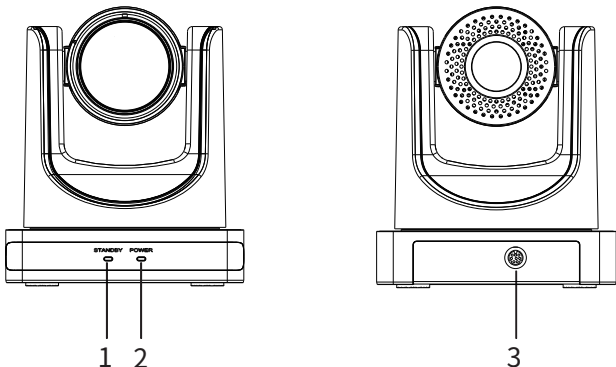
Product Overview

Speakerphone



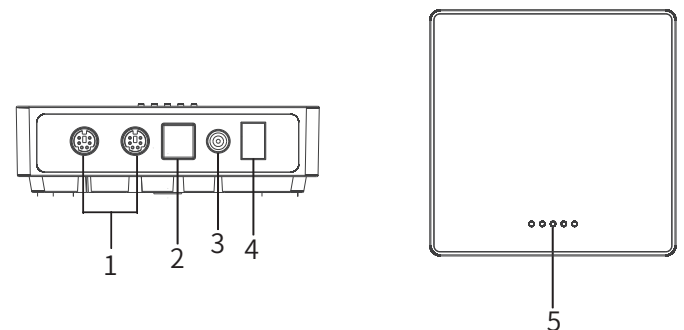
1. Optional expansion microphone port 1
2. Optional expansion microphone port 2
3. DIN6 cable port
4. LED Status indicator
5. Bluetooth indicator
6. Function keys
7. Volume indicator

Camera



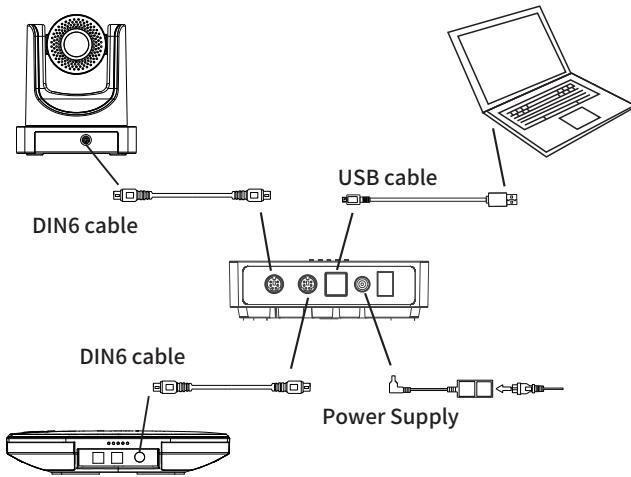
1. Status indicator
2. Power indicator
3. DIN6 Cable port

Hub



1. DIN6 Cable port
2. USB port
3. Power port
4. Turn on/off
5. Status indicator

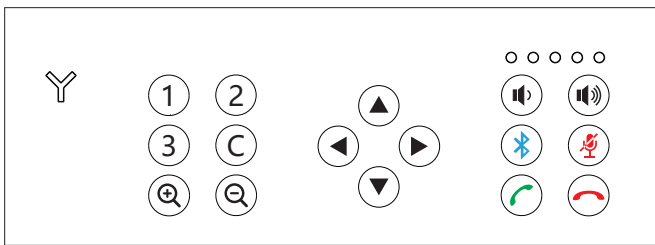
Connection



Connection steps

1. Connect the camera and Hub with the original DIN6 data cable;
2. Connect the speakerphone and Hub with the original DIN6 data cable;
3. Connect the power supply equipment with the original power adapter;
4. Connect one end of the USB cable to the USB port of the computer and video conference system, and connect the other end to the USB socket of the Hub;
5. Turn on the power switch after the connection was confirmed correct, and wait for the speakerphone and Camera self-check completed, turn on the terminal third-party conference software, and select the corresponding Camera, microphone and speaker driver to start the audio and video conference with the device.

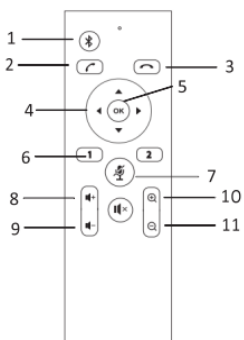
Speakerphone



Keys Description

① ② ③	Presets button
C	Remote control button
🔍 🔍	Zoom in/out
⬅️ ➡️ ⬆️ ⬆️	Camera pan / tilt
🔊 🔊	Volume button
📶	Bluetooth button
📞	End call
📞	Answer call
🔇	Mute microphone
📞 + 📞 + 🔊	Echo cancellation

Remote Control



- 1: Turn on/off Bluetooth
- 2: Pick up
- 3: Hang up
- 4: Pan / Tilt
- 5: OK
- 6: 1-2 Camera presets
- 7: Mute microphone
- 8: Volume up
- 9: Volume down
- 10: Zoom in
- 11: Zoom out

The LED Status indicator description

Status indicator	Blue LED light	USB connection
	Red LED light	Microphone mute status
Volume indicator	Blue LED light	The higher the volume, the more the number of lights
	Red light	Speaker mute
Bluetooth indicator	Y type Bluetooth indicator	1. Turn on the Bluetooth, the green light flashes 2. Bluetooth connection, green light is always on